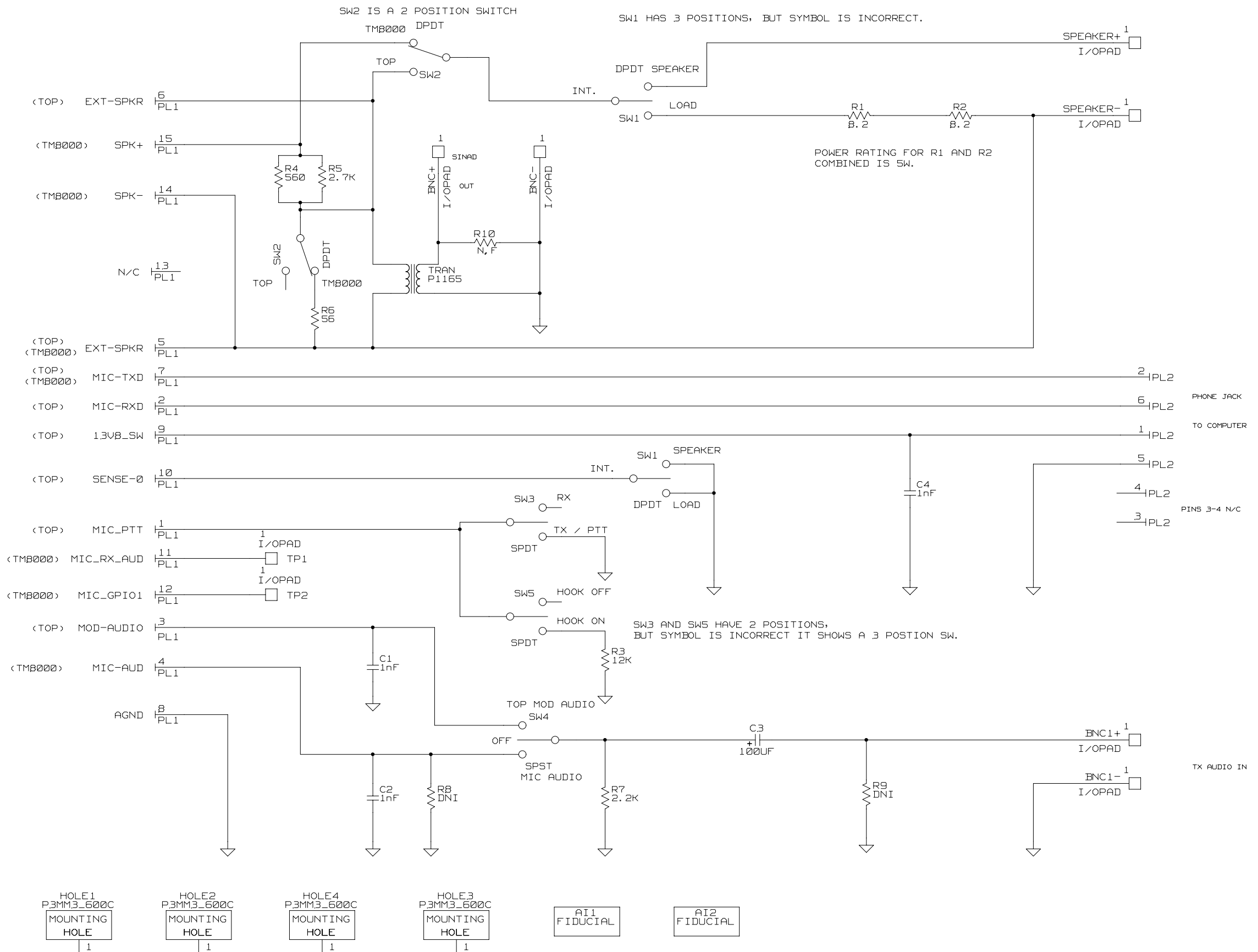


RADIO ACCESSORY CONN
PINS 11-13 N/C



© TAIT ELECTRONICS		A2
TM8000 and TOP		
CALIBRATION BOARD		
IPN: 220-01418-03	ISSUE: A	VARIANT NUMBER: ?
FILE DATE: Thu Nov 10 09:59:52 2005		
ENGINEER: Jimmy Y	FILE NAME: 220_01418	SHEET NUMBER: 1 OF 1

03A	SURFACE FINISH CHANGED FOR ROSH COMPLIANCE	PG	X	X	X	10/11/05
02A	MIGRATED AND REDESIGNED DCO 141B-001	BRD	X	X	X	17/02/03
REV/ISS	AMENDMENTS	DRAWN	CHKD	D. O.	APVD	DATE